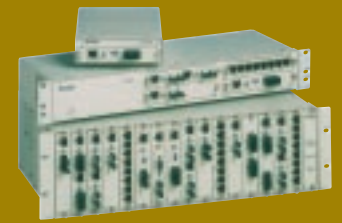


WizLAN Ltd.

*SNMP Agent and Management
for WizLAN Connectivity Centers*



WIZ-NMS/A

SNMP Agent Module

WIZ-View/A

Management Application

Wiz-NMS/A SNMP agent slide-in module provides comprehensive management for WizLAN product lines. A set of standard and private MIBs provide advanced setup, control and monitoring capabilities. These are manageable using either standard MIB browsers or via **WIZ-View/A** - a rich Java based graphical administrative tool designed specifically for WizLAN products.

WIZ-View/A provides a full graphical representation of the managed chassis and modules, with point-and-click access to all the functions supported by Wiz-NMS/A.

WIZ-View/A is a cross-platform application designed to operate on a wide range of operating systems including Microsoft Windows 98/NT/2000/XP, Sun Solaris, HP-UX, IBM-AIX, Linux, and MAC OS running on PCs, SUN, HP, IBM and MAC workstations and servers. It can be run as a standalone application as well as linked to an enterprise management system such as HP/OV, IBM Tivoli, CA Unicenter, etc.



WIZ-NMS/A SNMP Agent Module Features

- Remote in-band or out-of-band management and Telnet/CLI interface
- Auto-identification of host chassis and slot contents
- Power management including power-supply identification and power consumption
- Chassis hardware monitoring including temperature, voltage and fan RPM
- Event logging and storage of last 200 events
- Configurable trap destinations
- FTP firmware upgrade capabilities
- Module/port zoom-in provides full setup and monitoring capabilities
- Configuration storage for individual modules, to be automatically restored in the event of power loss or module replacement
- Hot-swappable

WIZ-View/A Management Application Features

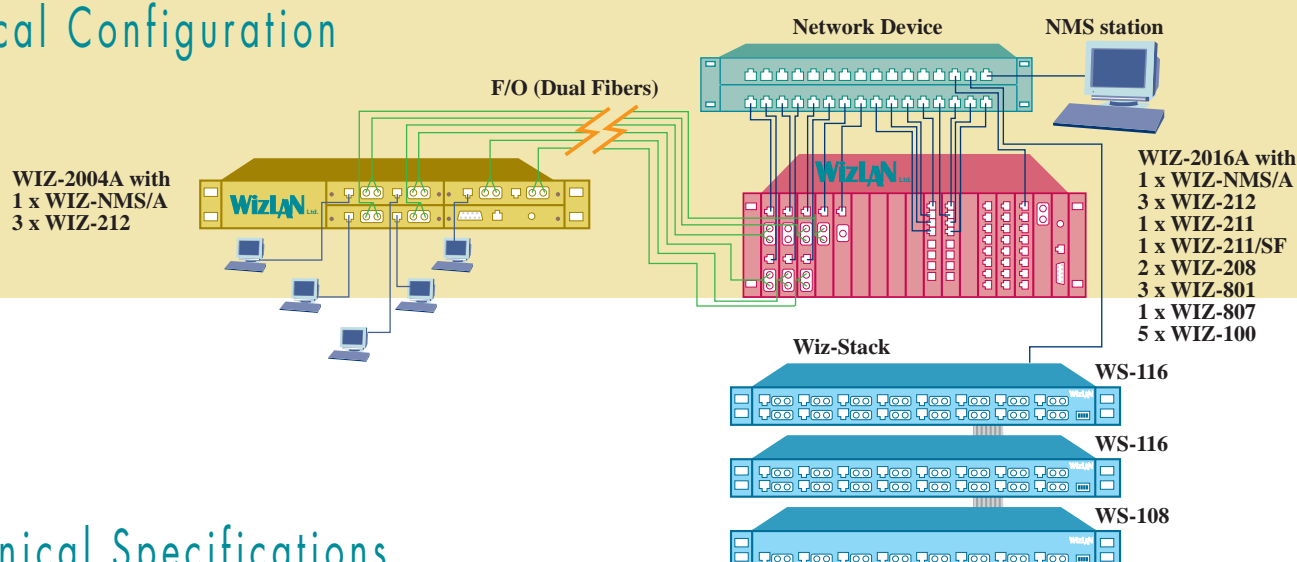
- Dynamic discovery and detailed graphical representation of host chassis and slot contents
- Definition and graphical representation of various types of F/O ports and connectors
- Colorful graphics and colored status indications enhance usability
- Intuitive user interface and workflow
- Zoom-in point-and-click access to setup and monitoring options for the chassis, individual modules and ports
- Auto-discovery of SNMP network devices
- Built-in security module for authentication and multi-level access control
- Event logging and configurable trap destinations



WizLAN Ltd. **Simply Unbeatable**

MEDIA WIZARD

Typical Configuration



Technical Specifications

WIZ-NMS/A - SNMP Agent Module

WIZ-View/A - Management Application

WIZ-NMS/A Specifications

Connectors

RJ45	out-of-band 10M Ethernet connector
DB9 male	RS232 CLI/Telnet connector (DCE), VT100 compatible

Management

In-Band/out-of-band	switch selectable
Supported MIBs:	RFC-1213 (MIB-II), PRIVATE MIBs
Local/CLI	For initial configuration and Telnet

LED Indicators (each RJ-45 and Fiber port)

System	Init, Sys
Power supply	Main, Secondary
In-band/out-of-band	Outband, Inband
Link status	Link, Active

Supported MIBs

SNMPv2c and MIB II standards

All other management data is represented by a series of private MIB files

Standard Compliance

IEEE802.3 10BaseT Ethernet

Safety and Emissions: CE, FCC Part 15, EN60950

Power Consumption (installed in Media Wizard chassis):

DC Power Consumption (PU) WIZ-NMS/A - 0.8PU
(Power Units per module)

Module Dimensions

H: 130mm (5.1") x W: 25.4mm (1") x D: 140mm (5.5")

Environment

Operating:	0 to 45°C (32 to 113°F)
Storage:	-40 to 85°C (-40 to 185°F)
Humidity:	10% to 90% non-condensing

WIZ-NMS/A Capabilities

(Enhanced capabilities via WIZ-View/A)

Special Features

In-band/out-of-band management support
Configuration storage
Power management
Hardware monitoring

Chassis Parameters

System information: system and user defined identification
Power management: power supply identification, consumption monitoring
Hardware monitoring: voltage, temperature, and fan RPM
Auto-discovery of host chassis and modules

Module/Slot Parameters

Auto-identification of module type, user assigned name, module level setup (redundancy, VLAN, etc.)

Port Parameters

Identification: user defined port name, system assigned port description, port type, fiber type, fiber connector, fiber wavelength.

Setup and operation: status, mode, speed, duplex, PONL, FEF, Loopback, pause, master/slave, rate-limit, redundancy.

Traffic monitoring: link status, activity status, collision, priority, Tx/Rx frames, error frames

WIZ-View/A Specifications

Can be run standalone on:

Microsoft Windows 98/NT/2000/XP, Sun Solaris, HP-UX, IBM-AIX, Linux, and MAC OS running on PCs, SUN, HP, IBM and MAC workstations and servers

Can be linked to:

Enterprise management systems such as HP/OV, IBM Tivoli, CA Unicenter, etc.

Supported MIBs:

SNMPv2c and MIB II standards.

All other management data is represented by a series of private MIB files

Ordering Information

WIZ-NMS/A SNMP agent slide-in management module for WizLAN product lines. Includes 10BaseT In-Band/Out-of-Band and RS232 interfaces.

WIZ-View/A Cross-platform enhanced graphical management application for WizLAN product lines.

All specifications are subject to change without notice. Neither manufacturer nor seller shall be liable for any loss, damage, or injury, direct or consequential, arising from the inability to use the product.

WizLAN Ltd. P.O. Box 7948, Haifa 31078, Israel e-mail: sales@wizlan.com http://www.wizlan.com Tel: +972-4-857-2199 Fax: +972-4-857-2204